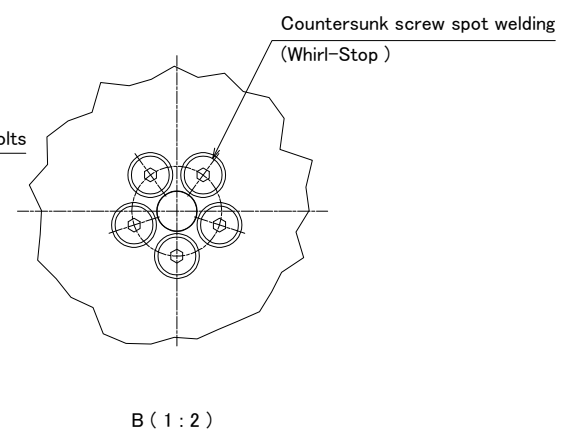
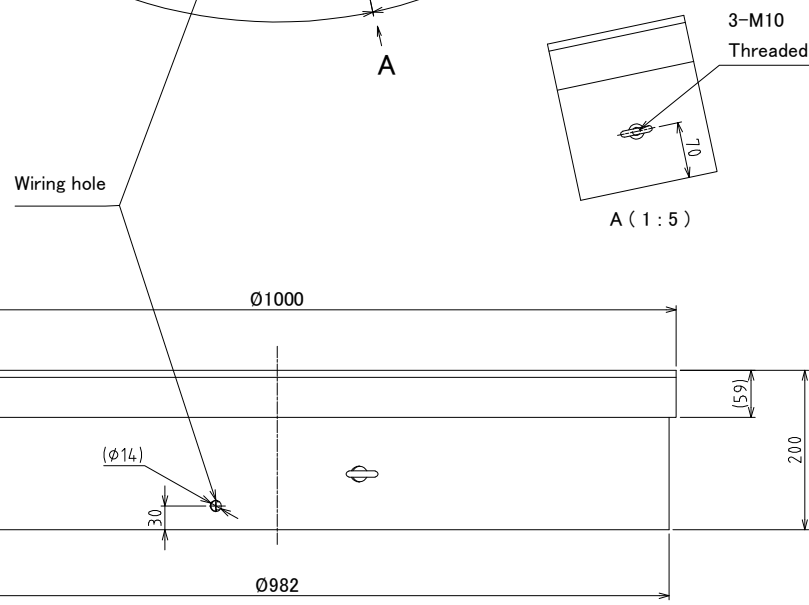


**Control panel for Turn Table**  
(Standard Motor wire length: 5m)



**IRT-1000RM Standard Type**

Turn Table Size	Outer diameter	φ 1000mm
	Height	200mm
Movable load		1000kg
Motions	Turning Direction	Clockwise and Anti-clockwise Rotatin
	Rotation Speed	1 ~ 7 r.p.m.
Geared motor for drive (without break)		0.4kW 3P AC 200V
Surface Finishing		Standard color: Giotto blue
Device weight		190kg