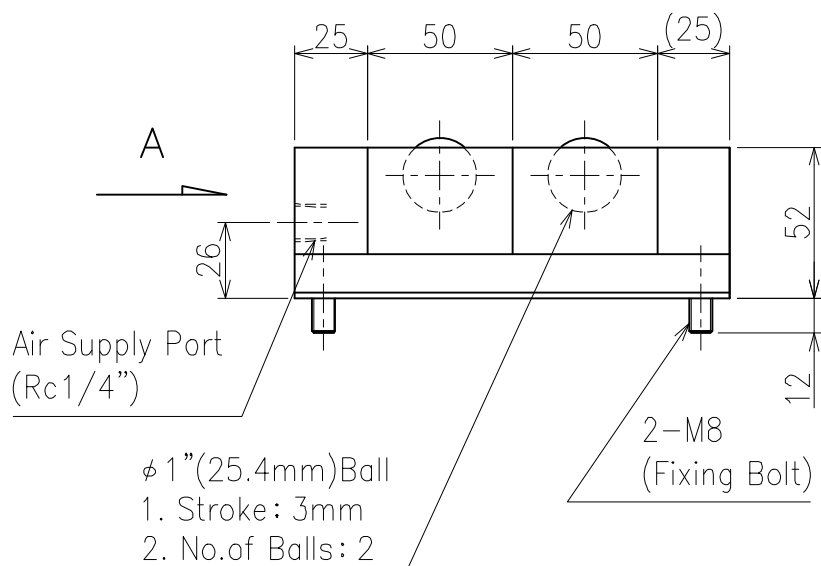


| Load capacity | | | |
|----------------------------|----------------------------|----------------------------|----------------------------|
| No. of balls | 2 | | |
| Supplied air pressure | 0.4MPa | 0.5MPa | 0.6MPa |
| | {4.08kgf/cm ² } | {5.10kgf/cm ² } | {6.12kgf/cm ² } |
| Load capacity on each ball | 0.98kN | 1.24kN | 1.51kN |
| | {100kgf} | {127kgf} | {154kgf} |
| Load capacity on each unit | 1.96kN | 2.49kN | 3.02kN |
| | {200kgf} | {254kgf} | {308kgf} |



>Description

ISR-C50D Type Air Ball Lifter

ISR-C50D-150-A Type

Unit = mm

>Specification

Product weight = 1.2kg

Withstand pressure = 0.9MPa (9.18kgf/cm²)

Working pressure range

= 0.05~0.6MPa (0.51~6.12kgf/cm²)

Operating temperature range

= -5~80°C (without freezing air line)

Using fluid = Air and inert gas (no filling up)

>Material

Ball = SUS44C

Plate = SUS440C

Cap = SUS304

O-ring = Viton

Grease = Clean Grease

Body = A6063-T5

+Electroless

Nickel plating

Plug = A6063-T5

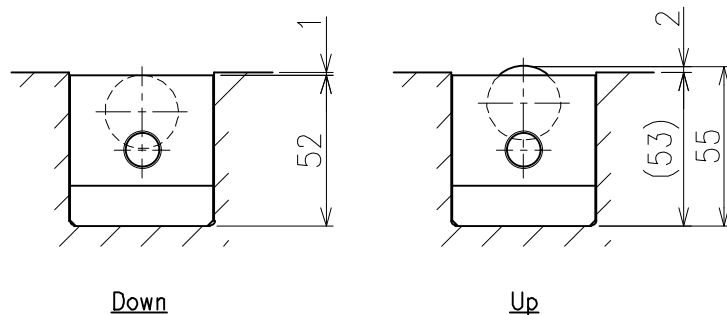
+Electroless

Nickel plating

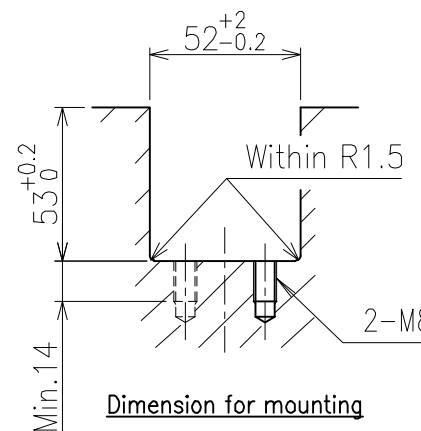
Bar = SGD400-D

+Electroless

Nickel plating



View-A



Dimension for mounting