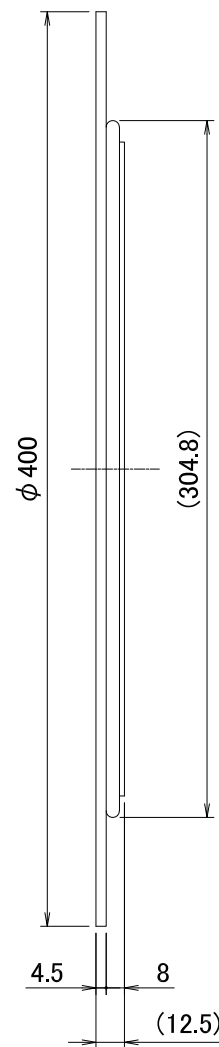
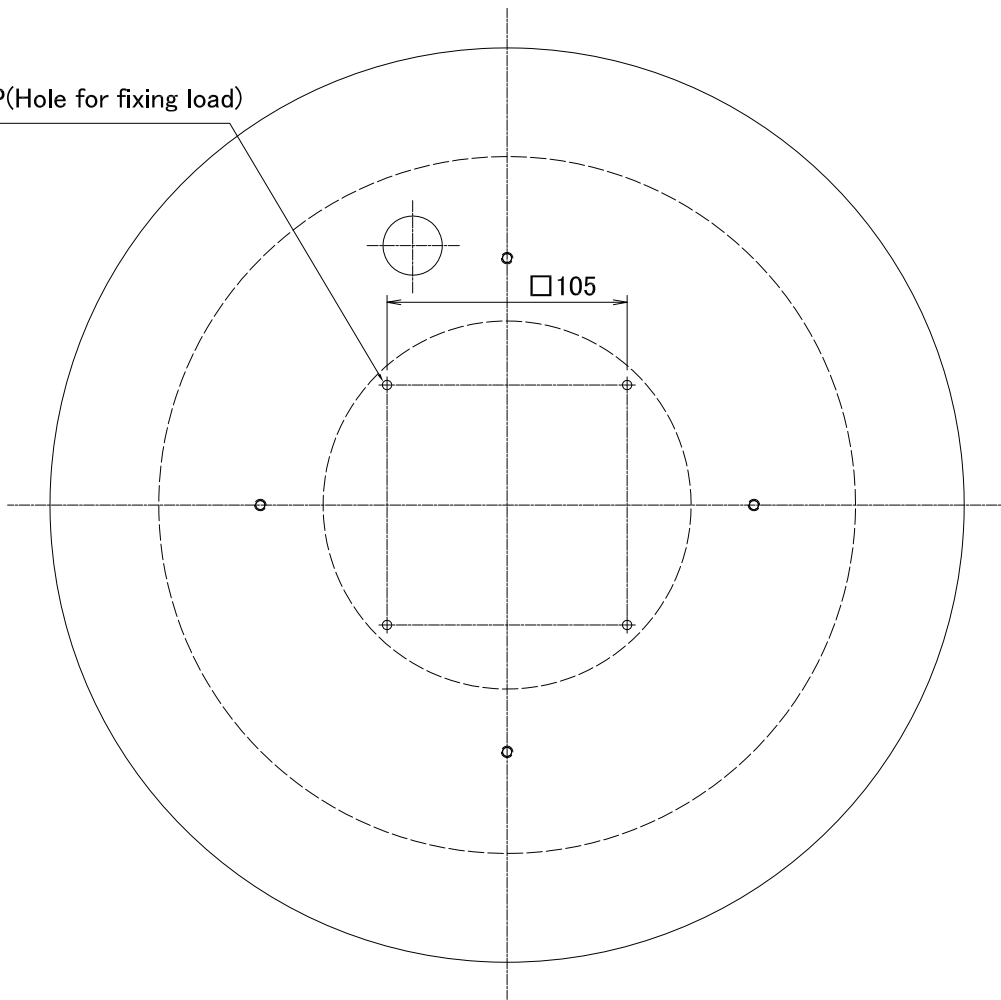


4-M5x0.8TAP(Hole for fixing load)

Note2)



Note 1: Please place this unit on a flat surface, during usage. This unit is not meant for sideways use or suspended use. Please note that the load limit is in reference to the the whole load on the unit, which also includes the table top. The load limit does not include impact force. Moving the load by sliding it on the table top, or forcefully shaking the load may cause the unit to malfunction.

Note 2: Please make sure the screw to affix the load protrudes less that 10 mm into the rotary unit. If the screw protrudes more than 10mm, it will hinder the unit from rotating.

>Details

IRL Series Rotary Tables

IRL-300-T Type

Unit = mm

>Specification

Product Weight = 4.8kg

Load Capacity = 400kgf

Table = SPHC

Ring = Surface-Treated Steel