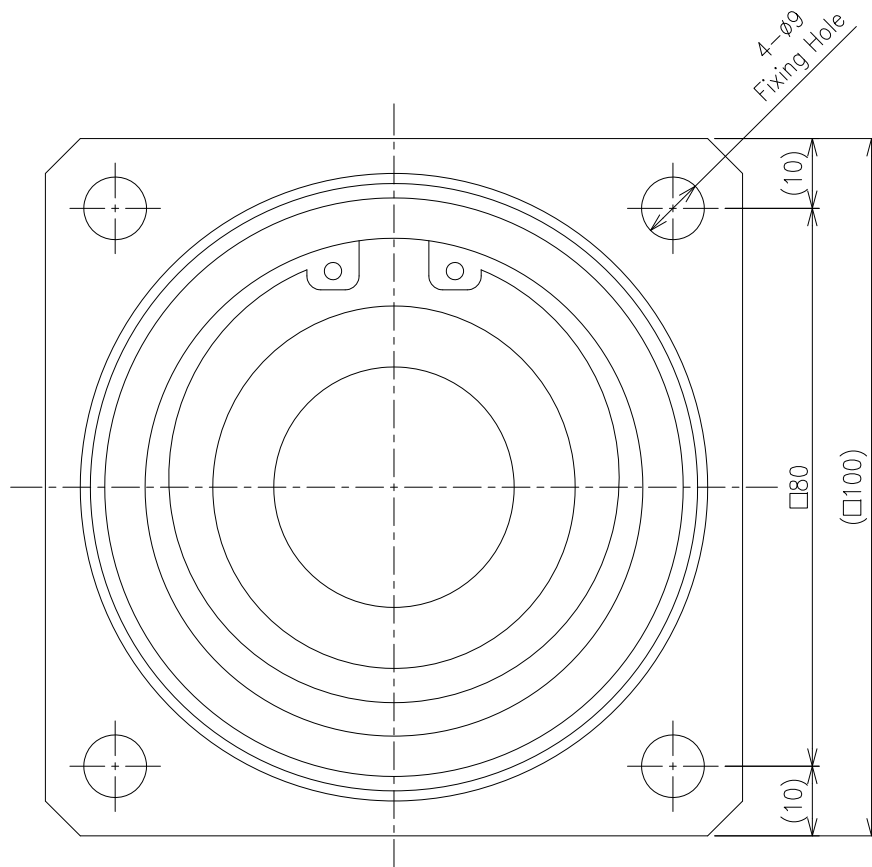


>Description  
 IK Type Ball Transfer  
 IK-38 Type  
 Unit = mm



>Specification  
 Large Ball Size =  $\phi 1-1/2$ " (38.1mm)  
 Product Weight = 2.9kg  
 Load Capacity = 250kgf

Body = FC250  
 Large Ball = SUJ2  
 Small Balls = SUJ2  
 Cap = S45C  
 Plate = SCM415

With Felt Seal