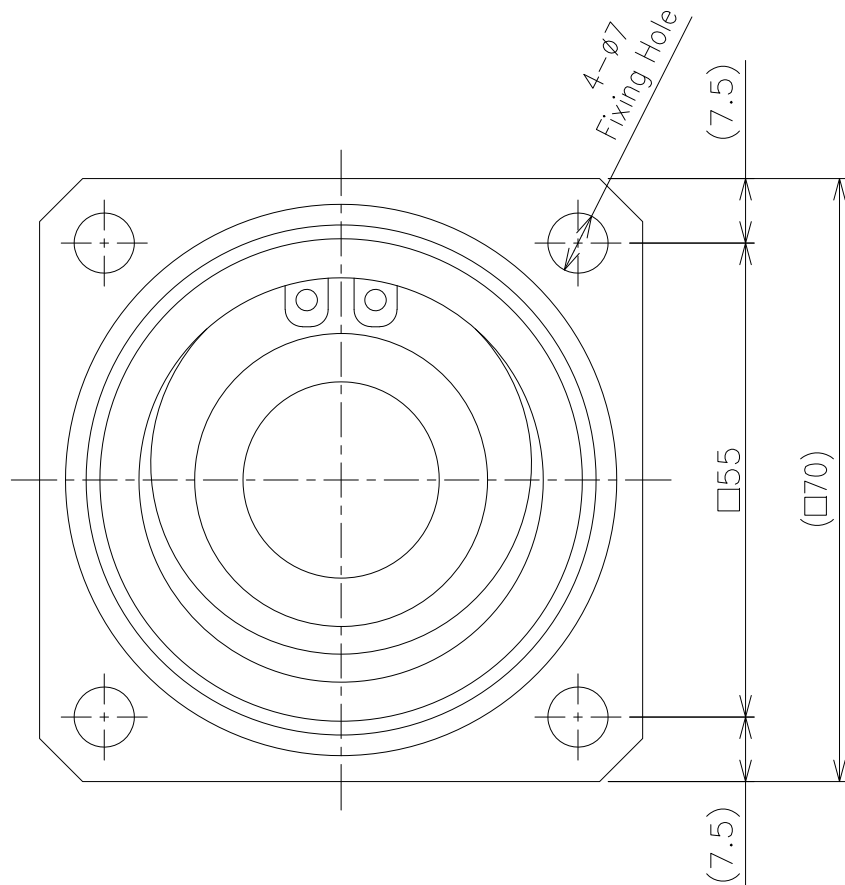


>Description
 IK Type Ball Transfer
 IK-25 Type
 Unit = mm



>Specification
 Large Ball Size = $\phi 1''$ (25.4mm)
 Product Weight = 0.9kg
 Load Capacity = 120kgf

Body = FC250
 Large Ball = SUJ2
 Small Balls = SUJ2
 Cap = S45C
 Plate = SCM415

With Felt Seal