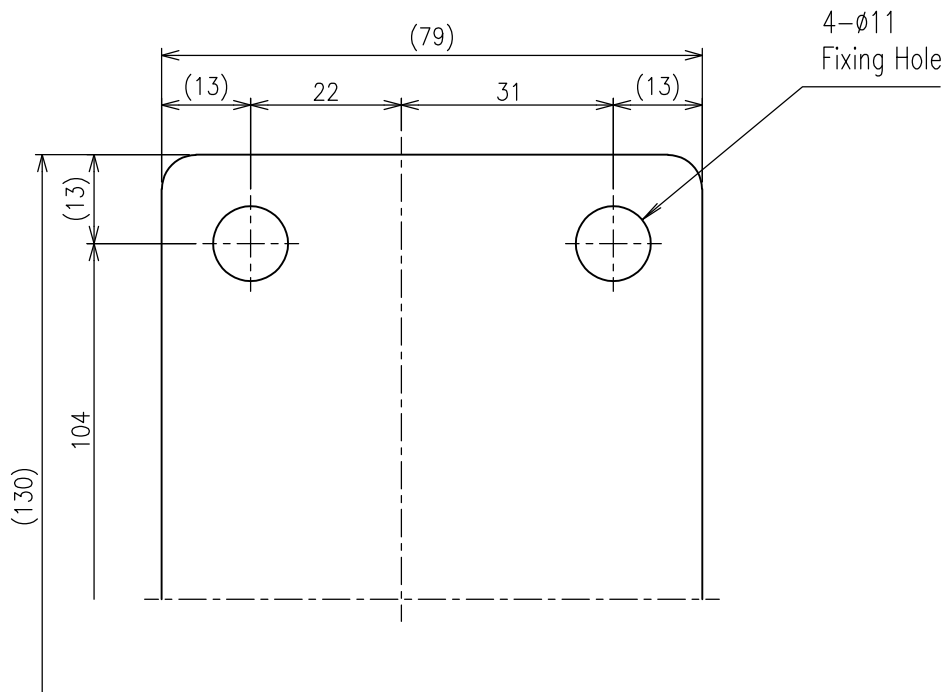


Grease Nipple
R1/8"A Type (Back Side)

>Description
SW Special Wheel
SW-70-I Type
Unit = mm



4-ø11
Fixing Hole

>Specification
Product Weight = 2.3kg
Load Capacity = 250kgf

Head = S45C (Hardend)
Body = FC250