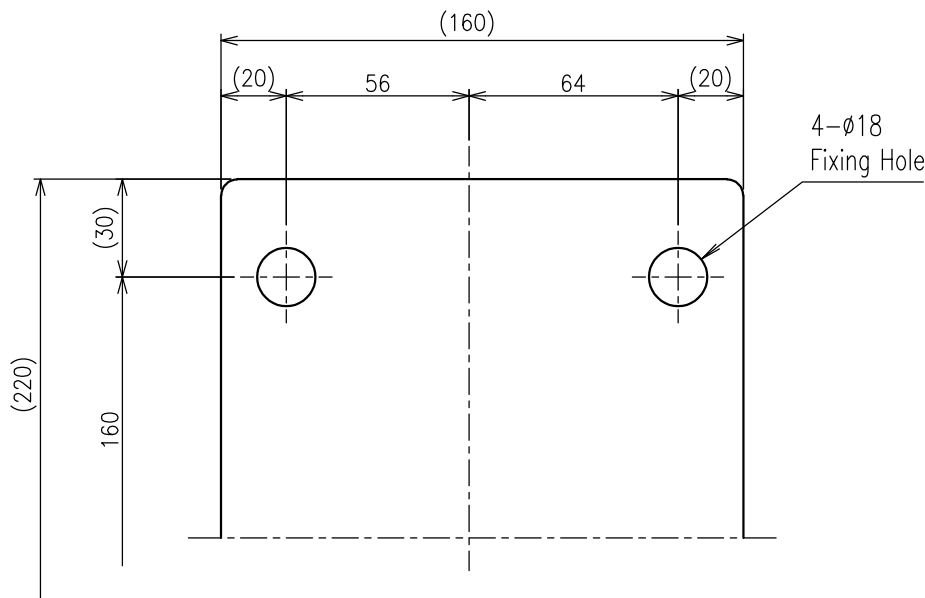


>Description  
 SW Special Wheel  
 SW-130-I Type  
 Unit = mm



>Specification  
 Product Weight = 13.5kg  
 Load Capacity = 1200kgf

Head = S45C  
 Body = FC250