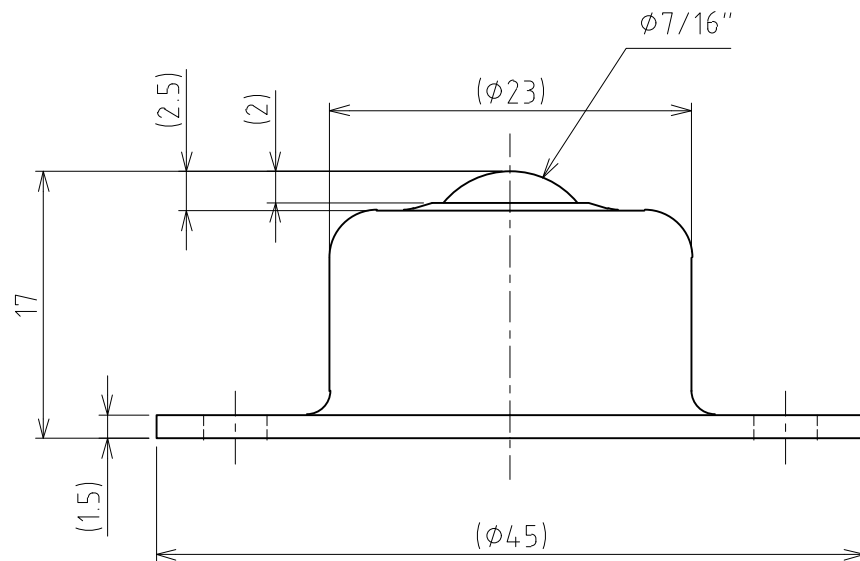


>Description
 IS-S Type Ball Transfer
 IS-10S Type
 Unit = mm



>Specification
 Large Ball Size = $\phi 7/16$ "(11.11mm)
 Product Weight = 0.06kg
 Load Capacity = 40kgf
 Body = SUS420J2
 Large Ball = SUS440C
 Small Balls = SUS440C
 Cap = SUS304